

CT10-XXXX-G1 DATA SHEET



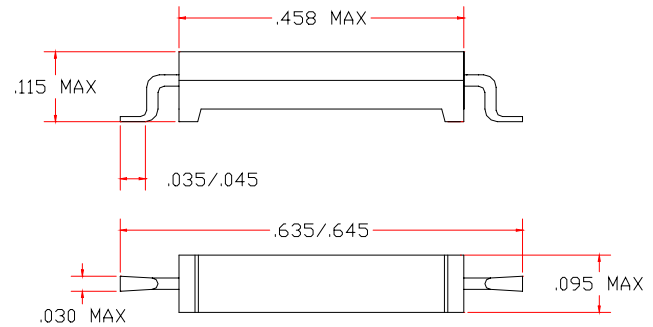
GENERAL

The CT10-XXXX-G1 is a reed switch based proximity sensor activated by the presence of a magnetic field. It is designed for SMD mounting.

SPECIAL FEATURES

- Ideal for SMD pick and place
- Rugged encapsulation
- Excellent lifetime and reliability
- Gold and sputtered ruthenium contact layers
- Tape and Reel packaging

DIMENSIONS



All dimensions in inches (mm)

SAMPLE APPLICATIONS

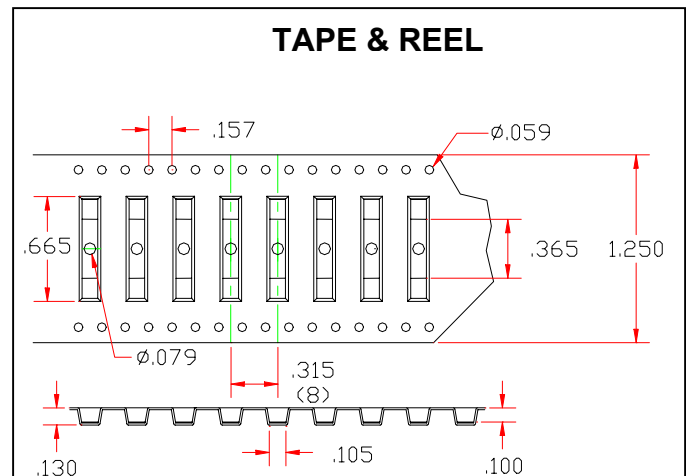
- Note book computer covers
- Security system sensors
- Electric, gas metering
- Fluid flow sensor
- Level sensor
- Many more

ELECTRICAL CHARACTERISTICS

Parameter	CT10-XXXX-G1	Unit
Operate range *	10-40	AT
Release range *	n.d.	AT
Switched power max	10	VA
Switched current max	500	mA
Switched voltage max	200	VDC
Switched voltage max	140	VAC
Breakdown voltage min	230	VDC
Contact resistance max	115	mΩ
Insulation resistance	1 x 10 ⁶	MΩ

* Measured in 10jk Coil after modification.

TAPE & REEL



All dimensions in inches (mm)

SWITCHING?

Think Coto Technology
Reed Switches, Relays and Sensors

Coto Technology
55 Dupont Drive
Providence, RI 02907
USA
1 (401) 943-2686
1 (401) 942-0920 (fax)
www.cotorelay.com

Coto Technology B.V.
Jan Campertstraat 5
6416SG Heerlen
The Netherlands
+31 (0)45 5439345
+31 (0)45 5427216 (fax)